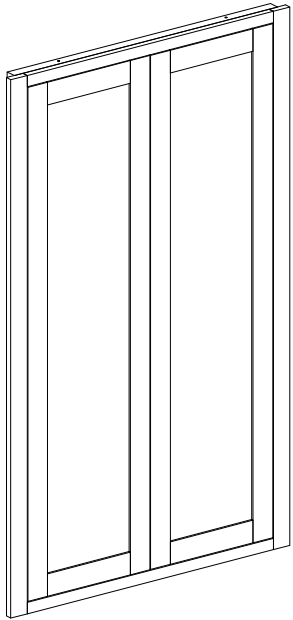


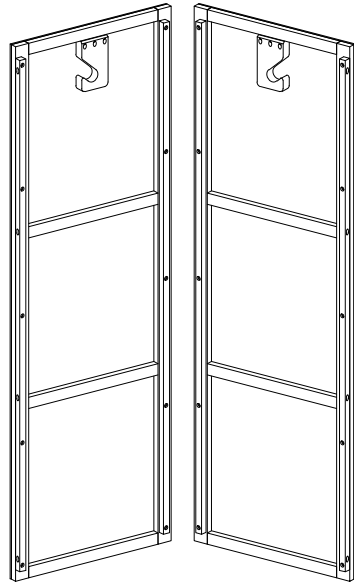
# ASSEMBLY INSTRUCTION GENTS WARDROBE

## PARTS LIST

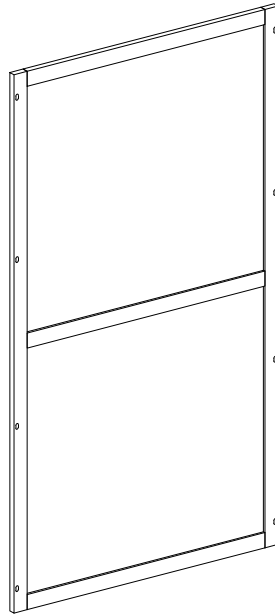
A = 1PC



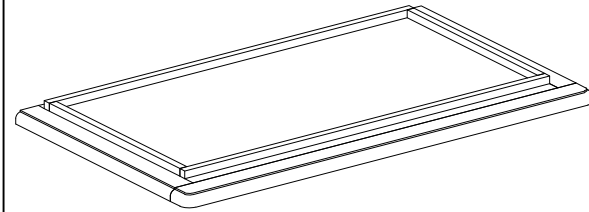
B = 2PCS



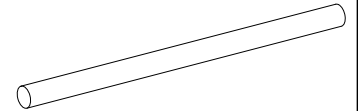
C = 1PC



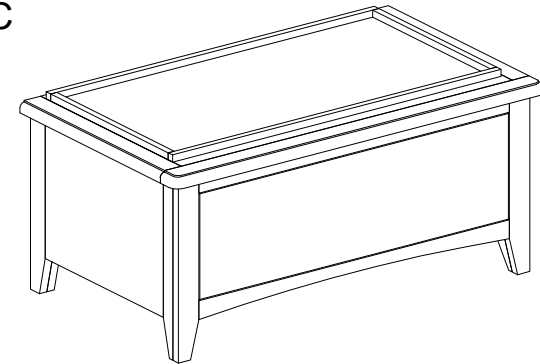
D = 1PC



E = 1PC



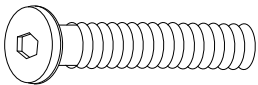
F = 1PC



## HARDWARE LIST

①

M6 x 30 = 16 PC



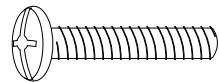
②

6.5 x 16 = 16 PC



③

M4 x 30 = 2 PC



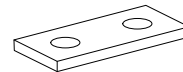
④

35 x 35 = 2 PC



⑤

2 x 25 x 40 = 4 PC



⑥

M4 x 20 = 8 PC



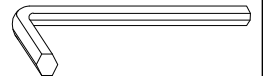
⑦

M4 x 30 = 4 PC

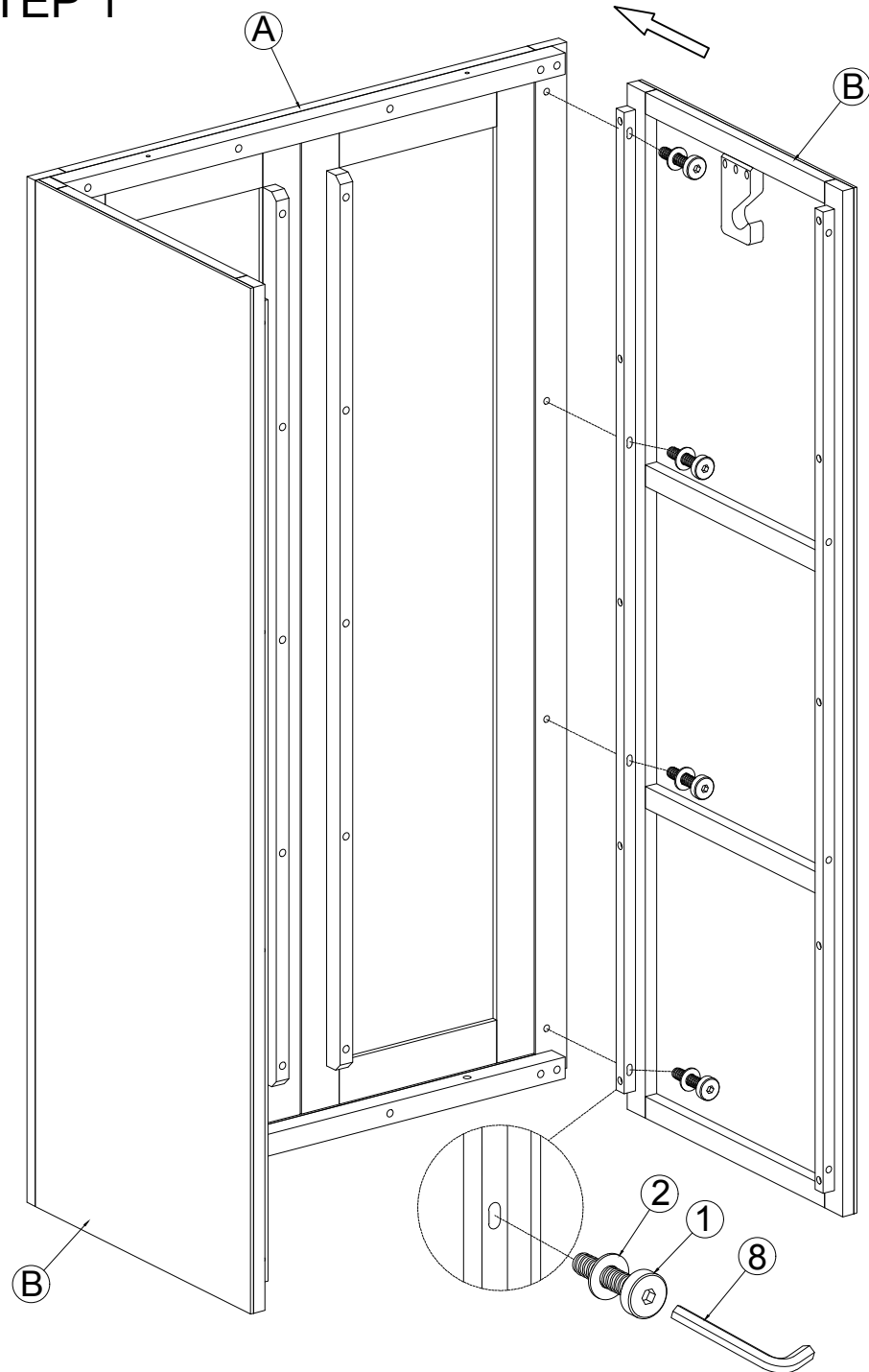


⑧

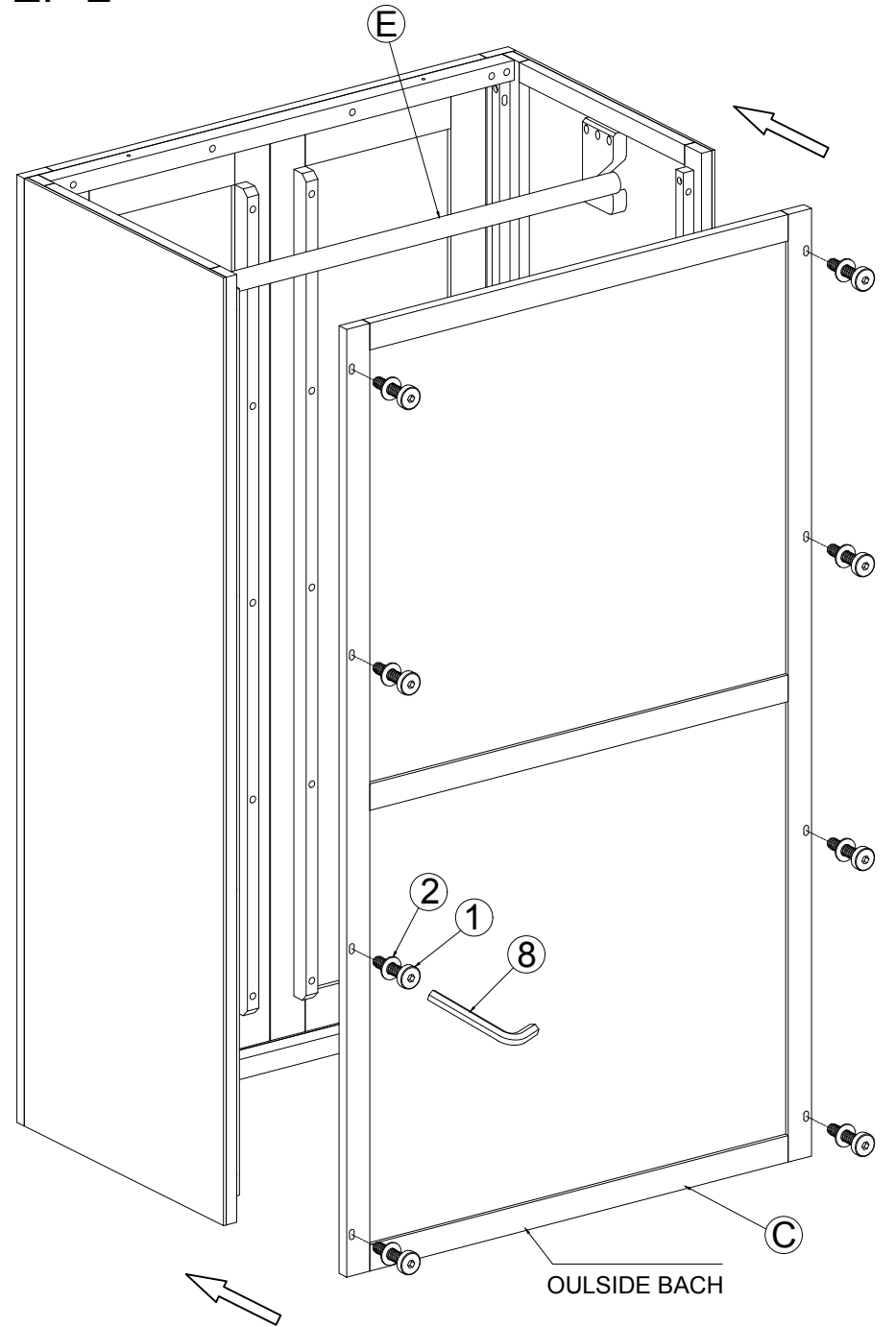
4 x 30 x 60 = 1PC



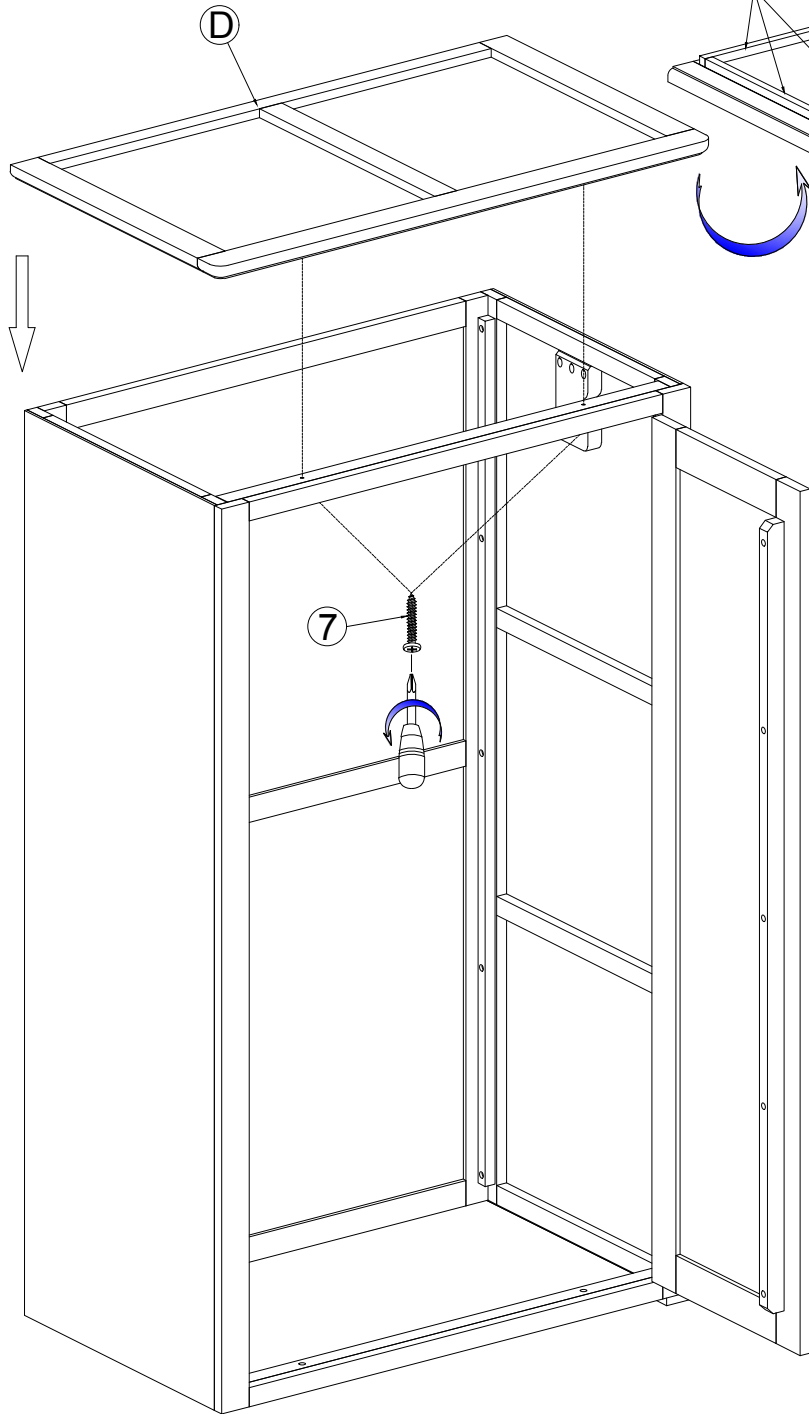
# STEP 1



# STEP 2

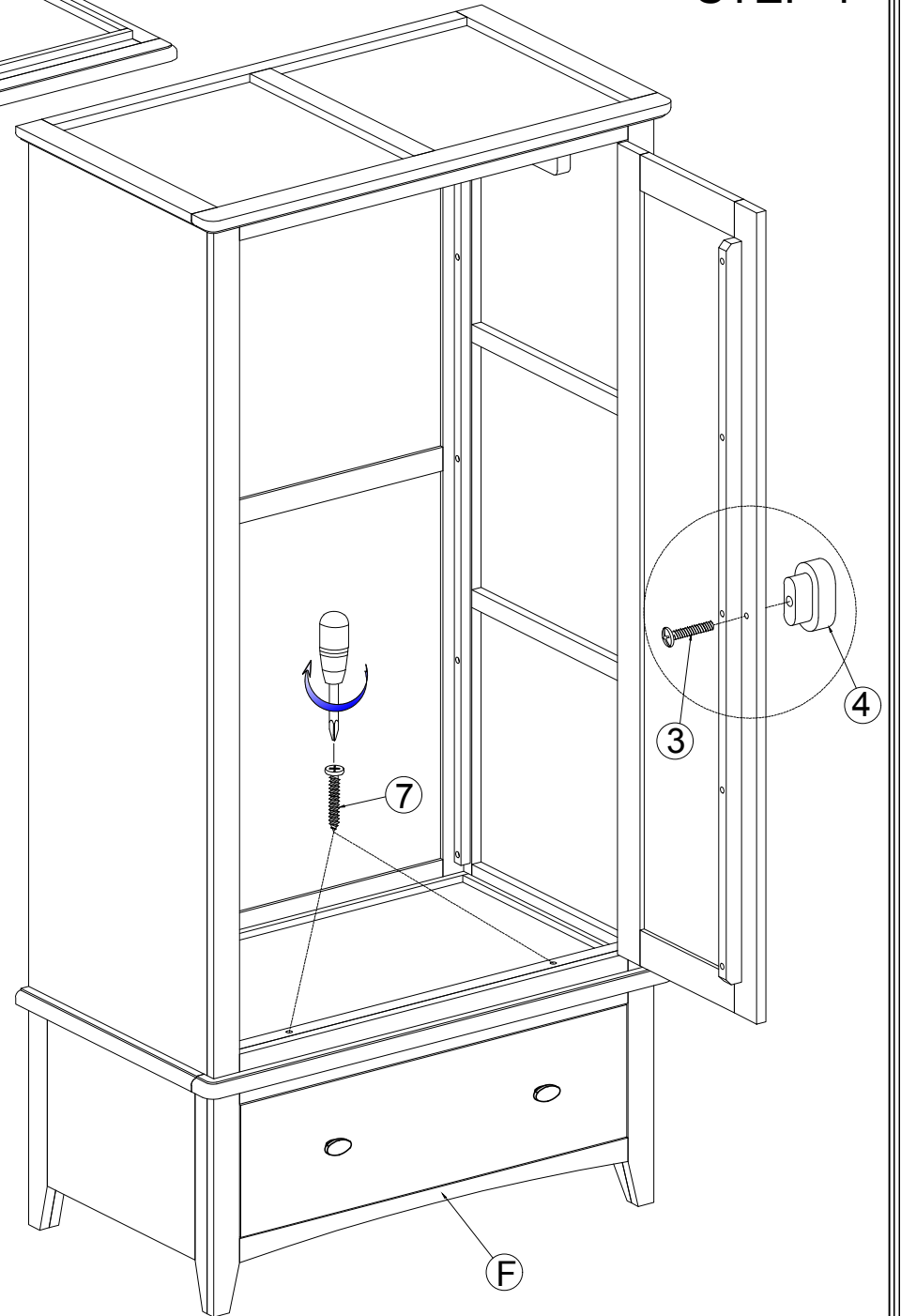


STEP 3

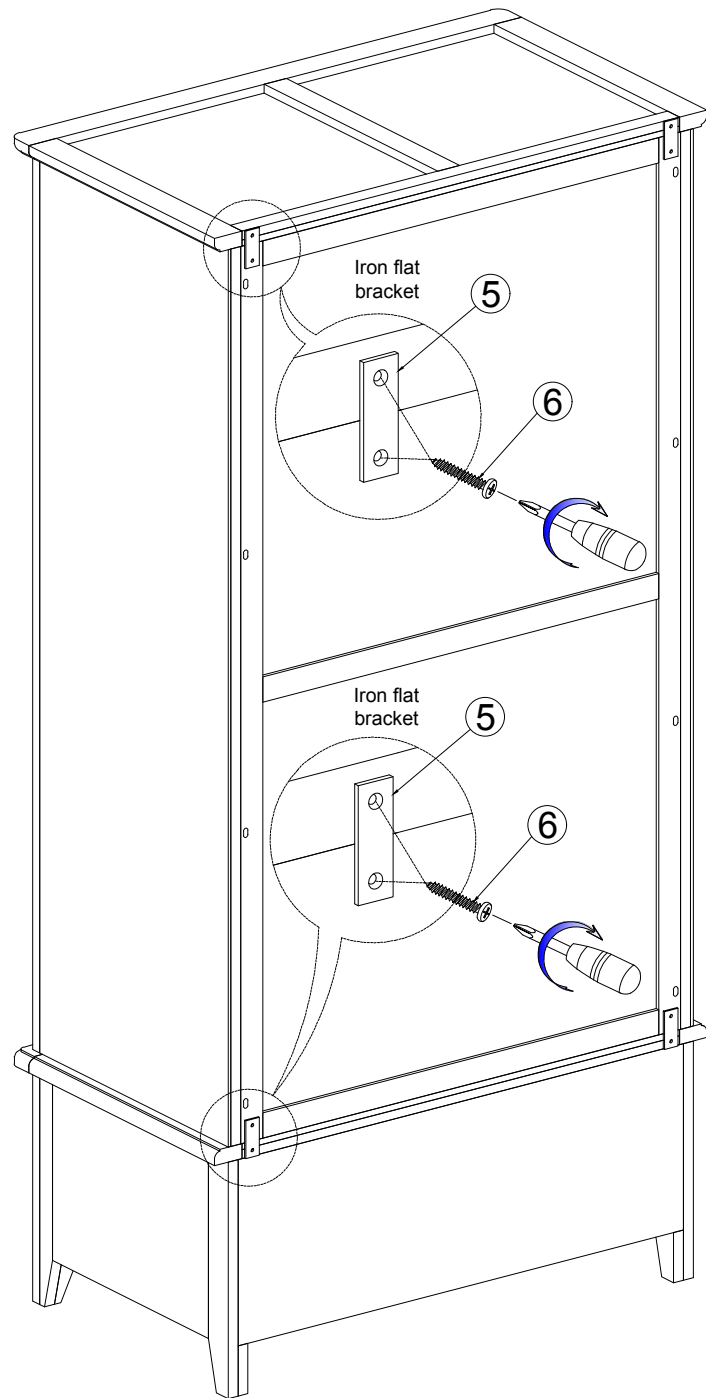


Inside frame

STEP 4



## STEP 5



## STEP 6

